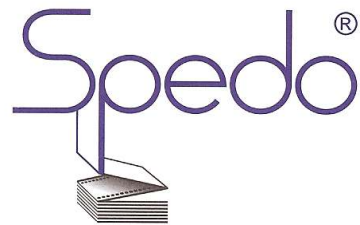


Spedo 9400 Web Buffer

INSTRUCTION MANUAL

Issue 2

Part Number SP 006 839



Unit 5, Riverwey Ind. Park
Newman Lane
Alton
Hampshire GU34 2QL
ENGLAND



Telephone
National: 01420 86546
International: +44 1420 86546
Facsimile
National: 01420 89892
International: +44 1420 89892

Spedo 9400 Web Buffer

Copyright

Published by Spedo UK Limited
Unit 5, Riverwey Ind. Park
Newman Lane
Alton,
Hampshire GU34 2QL
ENGLAND

Copyright

Spedo UK Limited 2011

All Rights Reserved.

No part of this publication may be reproduced, stored in a retrieval system, or transmitted, in any form or by any means, electronic, mechanical, photocopying, recording, or otherwise, without the prior written permission of Spedo UK Limited.

Unpack

Unpack the equipment and examine it thoroughly to ascertain whether any damage has occurred in transit. Report immediately any such damage to the agent or manufacturer. Retain the packing should further transportation be necessary.

All Goods

All goods manufactured by the Company are guaranteed to the extent hereafter mentioned against defects arising from faulty material or workmanship subject to the goods not having suffered maltreatment or interference. The Company's liability under this guarantee is limited to replacing any part or parts found defective within a period as laid down in Company instructions after the date of delivery or installation.

Other Goods

If goods not of the Company's manufacture are ordered, the guarantee of that company is to be accepted.

Descriptive Matter

Descriptive matter, illustrations, dimensions and weights issued by the Company are typical and shall not be held as binding.

Patterns and Designs

The Company reserves the right to alter patterns and designs without notice.

First Published August 2011

We have taken every care in the preparation of this manual. If there are any inaccuracies, ambiguities or omissions, Spedo UK Limited and its consultants and distributors cannot accept responsibility for any loss or damage these errors may cause.

Spedo 9400 Web Buffer

Safety Measures

This instruction manual contains certain WARNING and CAUTION notices which must be followed by the user to ensure safe operation and to retain the equipment in a SAFE condition.

All users of the equipment described in this manual MUST have received adequate training in its use and application in order to ensure SAFE AND PROPER USE.

Any adjustment, maintenance or repair of the opened apparatus under voltage shall be carried out only by a skilled person who is AWARE OF THE HAZARD INVOLVED.

Spedo 9400 WEB BUFFER

Table of Contents

History Sheet..... 2
Copyright 3
Safety Measures 4
Table of Contents 5

DESCRIPTION **SECTION 1**
INTRODUCTION 6
TECHNICAL DATA 7

INSTALLATION & OPERATION **SECTION 2**
INTRODUCTION 8
UNPACK..... 8
ACCESSORIES..... 8
SITE CONSIDERATIONS 8
DESCRIPTION OF OPERATION..... 9
SUMMARY OF CONTROLS 10
INSTALLATION 11
OPERATING PROCEDURES..... 12
 Load Paper 12
 Set-up and Operation 12
 Operator LED Status 13
 DIP Switch Configuration 14
 Start Position Adjustment 14
 Stop Position Adjustment 14
 Web Buffer Speed Adjustment 15
 Paper Run Out Override 15
REMOVAL PROCEDURES 16
RENEWAL PROCEDURES..... 16
ELECTRICAL SCHEMATICS 17

DESCRIPTION

SECTION 1

Introduction.

The Spedo 9400 Web Buffer is an interface unit designed to allow Spedo continuous forms cutters to be run in line with high speed continuous forms printers.

The 9400 is able to pause both the cutter and the printer as needed, as well as being able to speed up and slow down to match the speed of the input device.

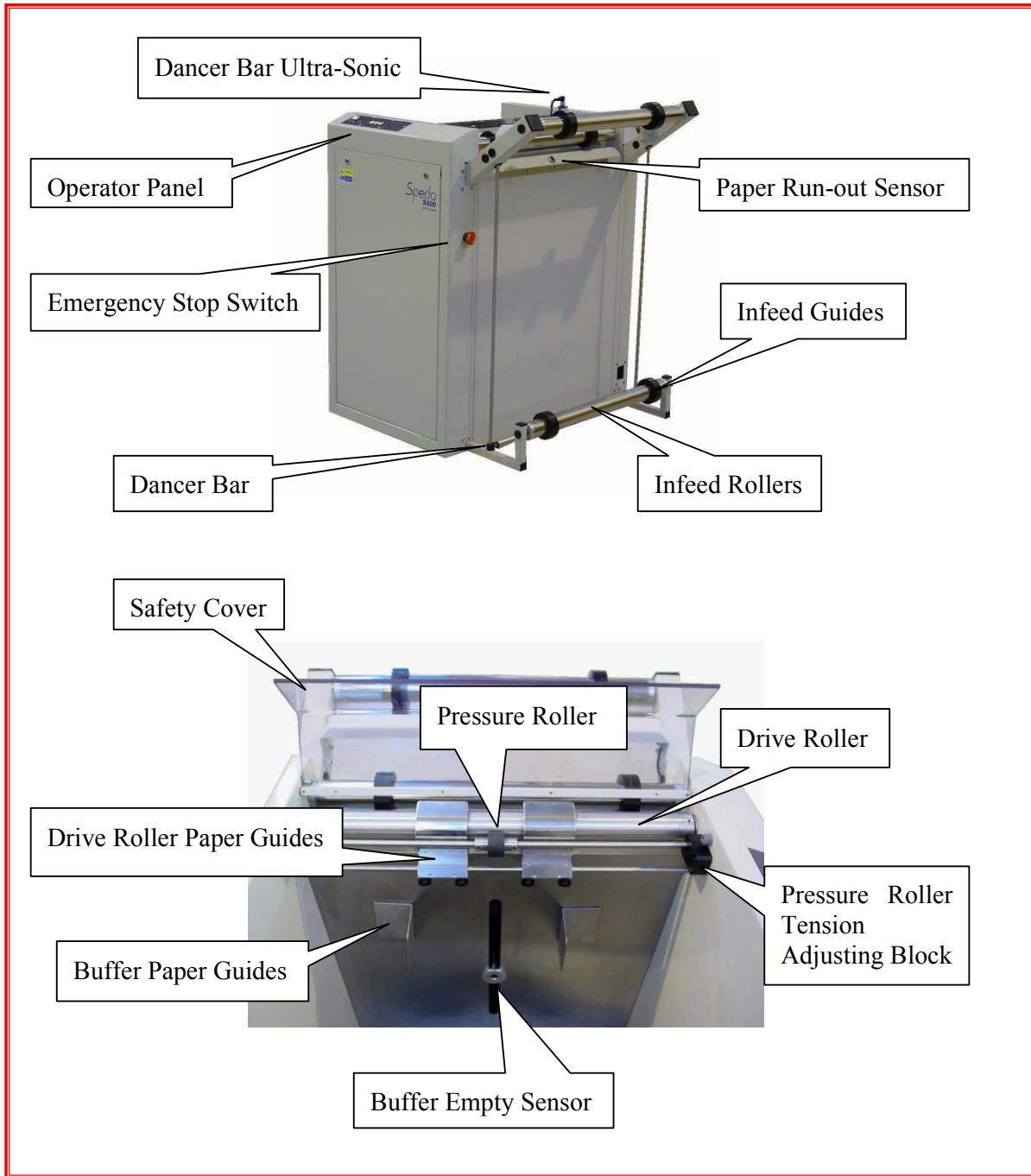


Fig 1.0 Identification of Main Assemblies.

TECHNICAL DATA

EMC Conformity:

The electrical equipment incorporated in this machine with EMC Directive (89/336/EEC amended by 91/236/EEC and 92/31/EEC), TUV Rheinland Certification & CE Certification.

Finish:

Spedo white main frame with graphite grey operator panel.

Paper Weight:

Single Web: 40 g/m² to 360 g/m².
Multipart Set: 90 g/m² - 400 g/m² max.

Form Width:

90 mm - 520 mm

Feed Speed:

Up to 400ft/min automatically adjusted to match input device.

Power Requirements:

Voltage:	230 V +/-10%
Frequency:	50 Hz to 60 Hz.
Power Consumption:	161 W (approx).

Noise Emissions:

69dB

Dimensions:

Length:	810 mm.
Width:	850 mm.
Height:	1050 mm.

Weight:

105kg (approx).

INSTALLATION & OPERATION

SECTION 2

INTRODUCTION

- The installation procedures given in this section should only be carried out by a competent trained service technician.
- Once the Web Buffer has been declared ready to operate, the operating personnel should be made familiar with its safe operation.

UNPACK

- Unpack the equipment and examine it thoroughly to ascertain whether any damage has occurred in transit. Report immediately any such damage to the agent or manufacturer. Retain the packing should further transportation be necessary.

ACCESSORIES

- The following items are supplied as standard:
 - Mains Cable, 9400-to-forms cutter.
 - Loop Control Cable, 9400-to-forms cutter.
 - Interface Cables, 9400-to-printer.
 - Fixing screws, 9400-to-forms cutter.
 - 3-bar Infeed Guide.
 - Instruction Manual CD.

SITING CONSIDERATIONS

- The distance from the web Buffer to the printer can be up to 2 metres maximum.
- Consideration must also be given to the layout and positioning of work tables and cupboards surrounding working area, at the same time leaving enough space around the system for the operator to have access to all operational requirements.
- All units in the system should be set square in relation to each other.
- Refer to the relevant instruction manual of any other unit in the system, before making up the combined system.

Description of Operation:

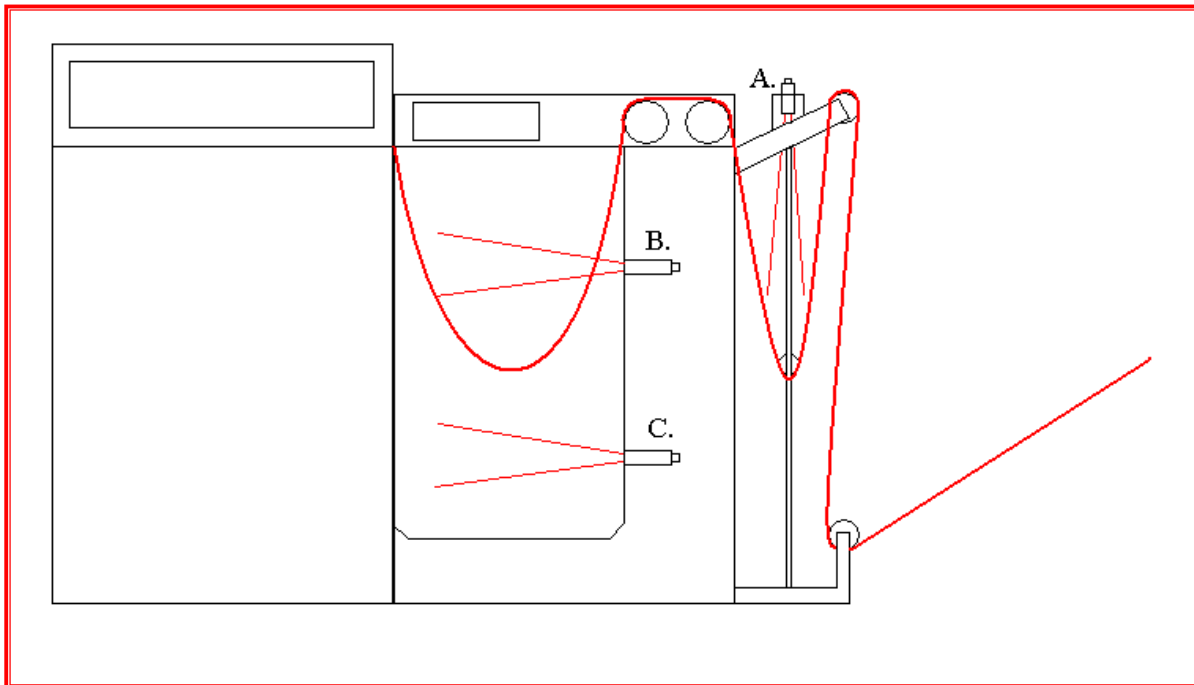


Fig 1.1 Spedo 9400 Web Buffer

The Spedo 9400 is an interface unit designed to allow continuous forms to be processed in line with a printing device.

Once the web is loaded correctly the through put can be carefully controller using a series of sensors which communicate directly with the 9400 control unit.

Sensor A. is used to control the paper input from the printing device. The sensor detects the height of the dancer bar and adjusts the speed of the 9400 until the performance matches that of the printer.

If the dancer bar falls too low it is deemed that the 9400 has stopped / paused and a signal is given to the printer to pause. The printer will not resume until the bar rises to the start position.

If the dancer bar rises too high it is deemed that the printing device has stopped / paused and the 9400 will also pause. The 9400 will not resume until the bar is lowered to the start position.

Sensor B. is used to control the cutter. If the paper web is too high and thus not covering sensor B, it is deemed that the 9400 has stopped / paused and the cutter will pause. The cutter will not resume until the sensor has been covered.

Sensor C. is used to control the 9400. If sensor C is covered it is deemed that the cutter has stopped / paused and the 9400 will pause. The 9400 will not resume until the sensor has been uncovered.

Summary of Controls

- Fig 1.2 describes the functions of the operating controls.

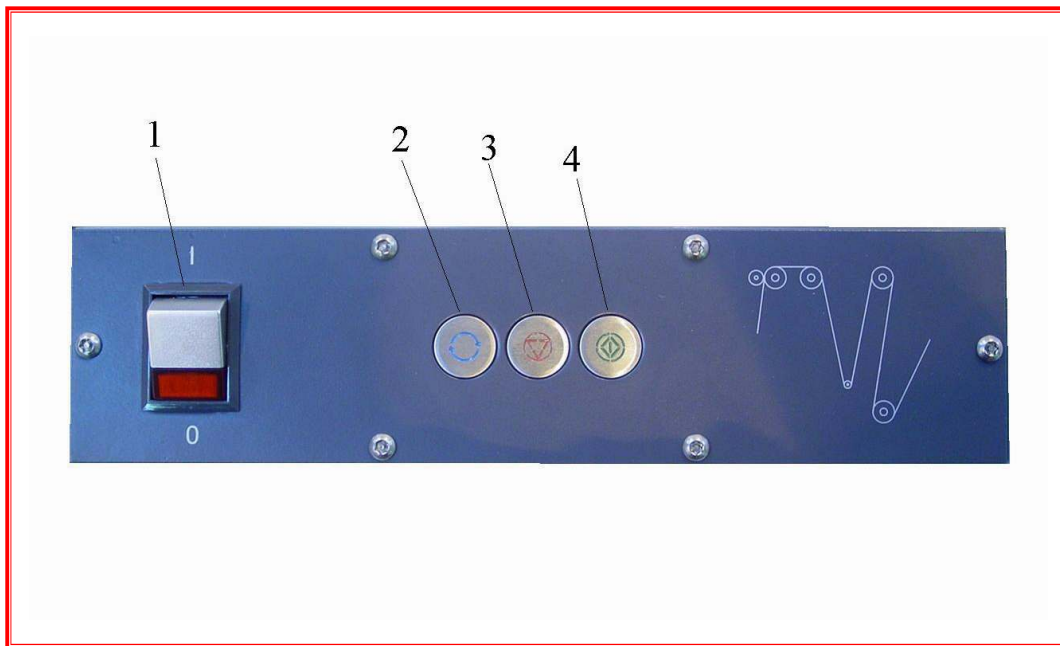


Fig 1.2 Summary of Controls

- | | |
|-------------------------|---|
| 1. MAINS ON/OFF Switch. | Toggles the power on and off. |
| 2. AUTO BUTTON. | Toggles continuous run mode on and off. |
| 3. STOP BUTTON. | Stops the operation of the 9400. |
| 4. START BUTTON. | If the AUTO button is illuminated, pressing the START button will activate the continuous run mode. If the AUTO button is not illuminated, pressing the START button will activate the set-up mode. |

INSTALLATION

Installation Check

- **WARNING:** Never operate the unit when wearing items of loose clothing or loose decorative jewellery, as they could become entrapped in the machinery and cause injury

Mains (Power) Cable

- Insert the mains (power) plug into the mains input socket and then the other end into the forms cutter power output socket.
- If an alternative plug is required for the forms cutter, remove the plug from the cable and re-connect it to a suitable plug. The colour codes are as follows:
 - L (live) = BROWN wire
 - N (neutral) = BLUE wire
 - E (earth / ground) = GREEN/YELLOW wire.
- To Switch On Depress the MAINS ON:OFF switch and check that it illuminates
- Press the START button once. The STOP button will be extinguished and that unit will enter set-up mode.
- Press and hold the START button to jog. Check that the feed roller rotates anti-clockwise. Release the START button and check that the roller stops.
- Repeat the step above several times, checking that the roller runs each time.
- Press AUTO once. Check that the AUTO button and the STOP button illuminate and the fans start.
- Cover the paper run-out sensor. Press the START button once. Check that the STOP button extinguishes and the drive roller runs continuously.
- Check (manually) by covering each loop sensor with paper that the drive roller stops running. This denotes that the sensors are detecting the presence of the loop.
- Uncover the paper run-out sensor. Check that the STOP lamp illuminates and the driver roller stops running.
- Open the safety cover and check that both the STOP and START buttons are flashing simultaneously. Press the START button and check that no operations are available.
- Connect the required printer interface cable from the 9400 to the printer. Connect the loop control cable to the forms cutter. Manually check that the lower infeed sensor controls the printer.
- Operate the complete system and check that it functions satisfactorily. Before handing over, ensure that the operating personnel; are familiar with all the operating procedures and are aware of any safety hazards involved.

OPERATING PROCEDURES

Operation of 9400



Fig 1.3 – Showing Paper Route

- Fit the 3-bar infeed guide to the forms cutter if necessary.
- Plug in the loop control and power cables between the 9400 and the forms cutter.
- Adjust paper guide of the infeed rollers as needed.
- Set the cutter and web buffer sensors to the correct height if necessary.
- Loop the paper web through the guide rollers as shown in Fig1.3.
- Once the paper has been loaded, ensuring that the AUTO lamp is extinguished press the START button once to enter set-up mode.
- Press and hold the START button to jog the required amount of paper into the buffer unit. The paper can be reversed at any time by holding the START and STOP button together.
- Once the required amount of paper is available the web can be loaded onto the forms cutter.
- With the forms cutter loaded set the 9400 to continuous mode, press the AUTO button so that the lamp is illuminated then press the START button once.
- The 9400 will run until all sensors are covered and then wait for the cutter to become ready.

OPERATOR LED STATUS :



Fig 1.4 Operator LED status explained.

DIP SWITCH CONFIGURATION:

It is possible to adjust the operation of the Web Buffer using the DIP switches provided on the logic control panel. Roller Speed, Printer Stop and Printer Run signals can all be changed to suit the specifications of the input device.

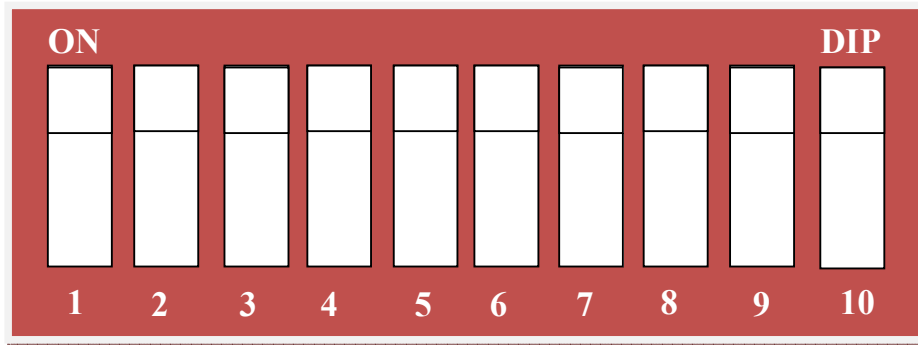


Fig 1.5 DIP Switches in ON position. (ON=1 and OFF=0)

The point at which printer is allowed to start running is dependent on the input start position as read by the dancer bar ultrasonic sensor. You can adjust this start position by setting switches 1 and 2 using the table below.

1	2	Input Start Position
0	0	1
1	0	2
0	1	3
1	1	4

The point at which the printer is signalled to stop is dependent on the input stop position as read by the dancer bar ultrasonic sensor. You can adjust this stop position by setting switches 3 and 4 using the table below.

3	4	Input Stop Position
0	0	1
1	0	2
0	1	3
1	1	4

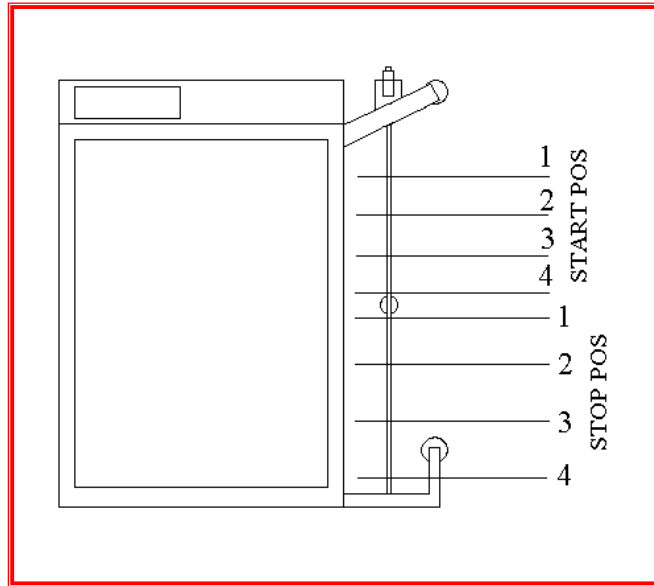


Fig 1.6 Showing approximate positions.

The average speed of the web buffer can be adjusted to match the speed of the input device by setting switches 5, 6 and 7 using the table below. Note: This is the speed achieved by the web buffer when the dancer bar is in its middle position.

5	6	7	Input Speed
0	0	0	30 M/Min
1	0	0	40 M/Min
0	1	0	50 M/Min
1	1	0	60 M/Min
0	0	1	70 M/Min
1	0	1	80 M/Min
0	1	1	90 M/Min
1	1	1	100 M/Min

The Paper Loop Switch can also be toggled on and off if needed by selecting switch 10.

8	SPARE
9	SPARE
10	Paper Loop Switch Override

REMOVAL PROCEDURES

Side Compartment Doors

- The left side compartment door is secured in position by two locks. This prevents the operator from accessing the internal moving parts and electrical assemblies.
- The right side compartment is held by two catches only.
- Unlock both locks on the left side door and lift out and upwards from its retainers.
- Release the catches on the right side door and lift out and upwards from its retainers.

RENEWAL PROCEDURES

Replacement of Drive Belts:

Main Drive Belt (Fig 1.7)

- Loosen x4 off main drive motor mounting screws.
- Push main drive motor upwards to slacken the drive belt.
- Fit new drive belt and tension by moving the main drive motor downwards.
- When correct tension is achieved, tighten all main drive motor screws.

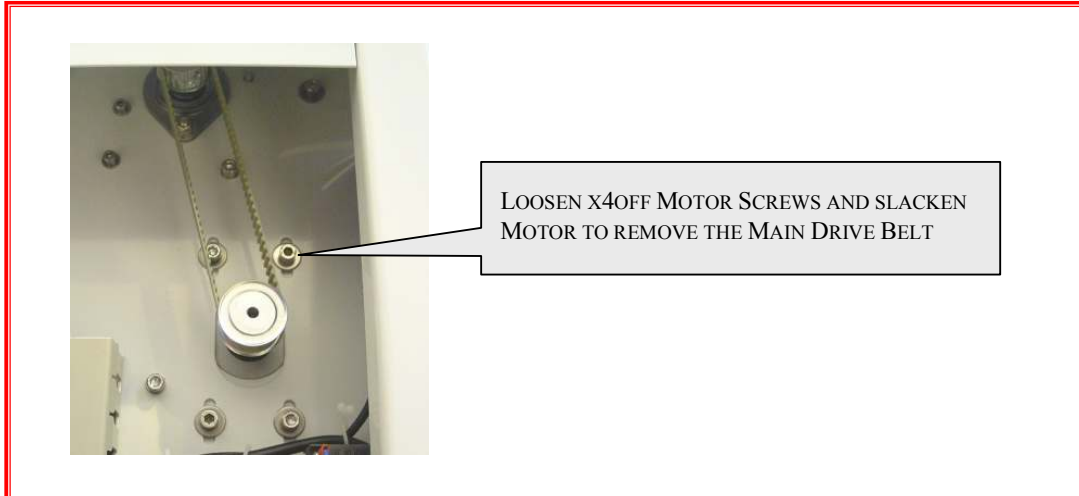


Fig 1.7 Removal of Main Drive Belt

9400 ELECTRICAL SCHEMATIC:

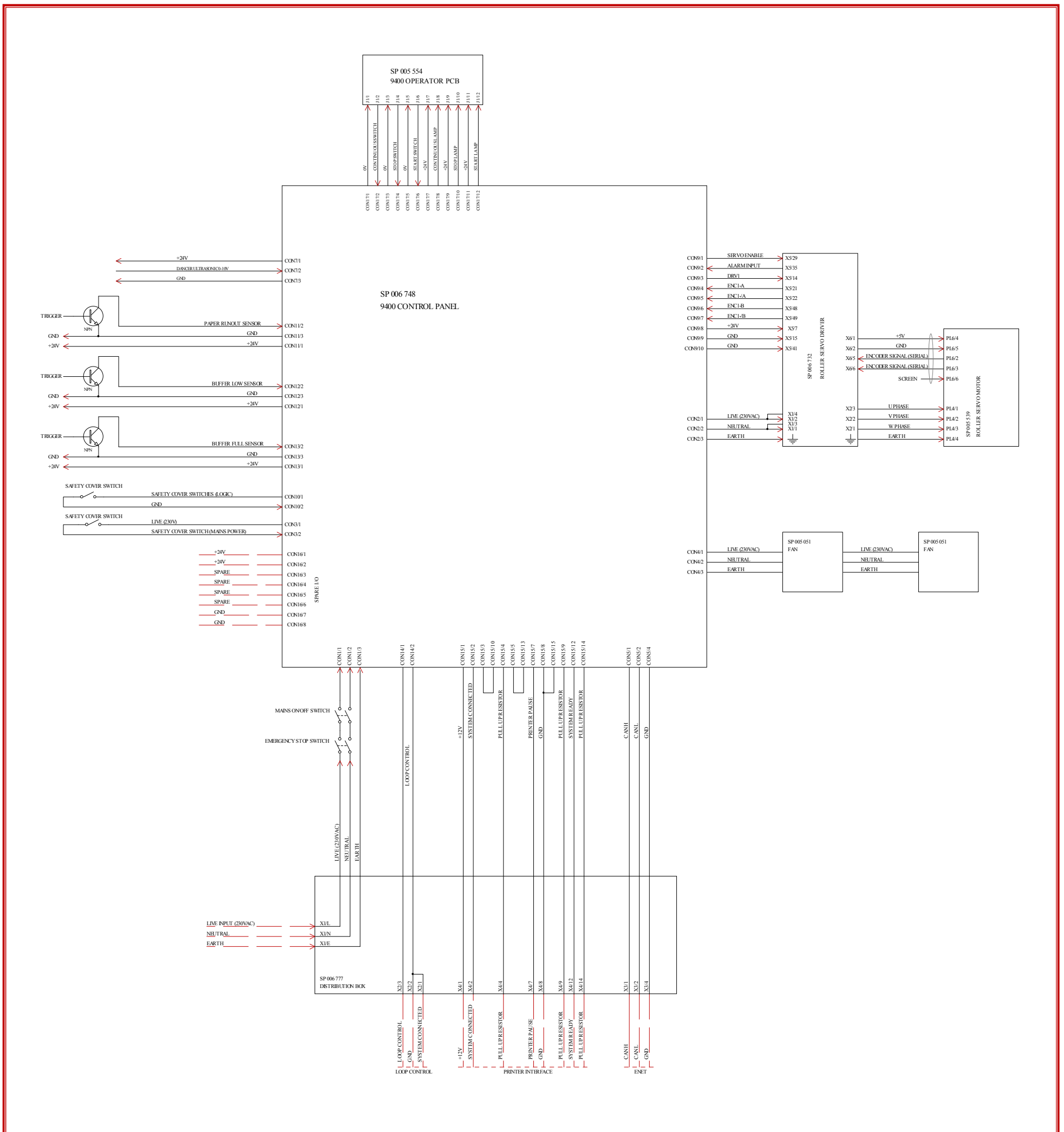


Fig 1.8 Showing 9400 Electrical Schematic